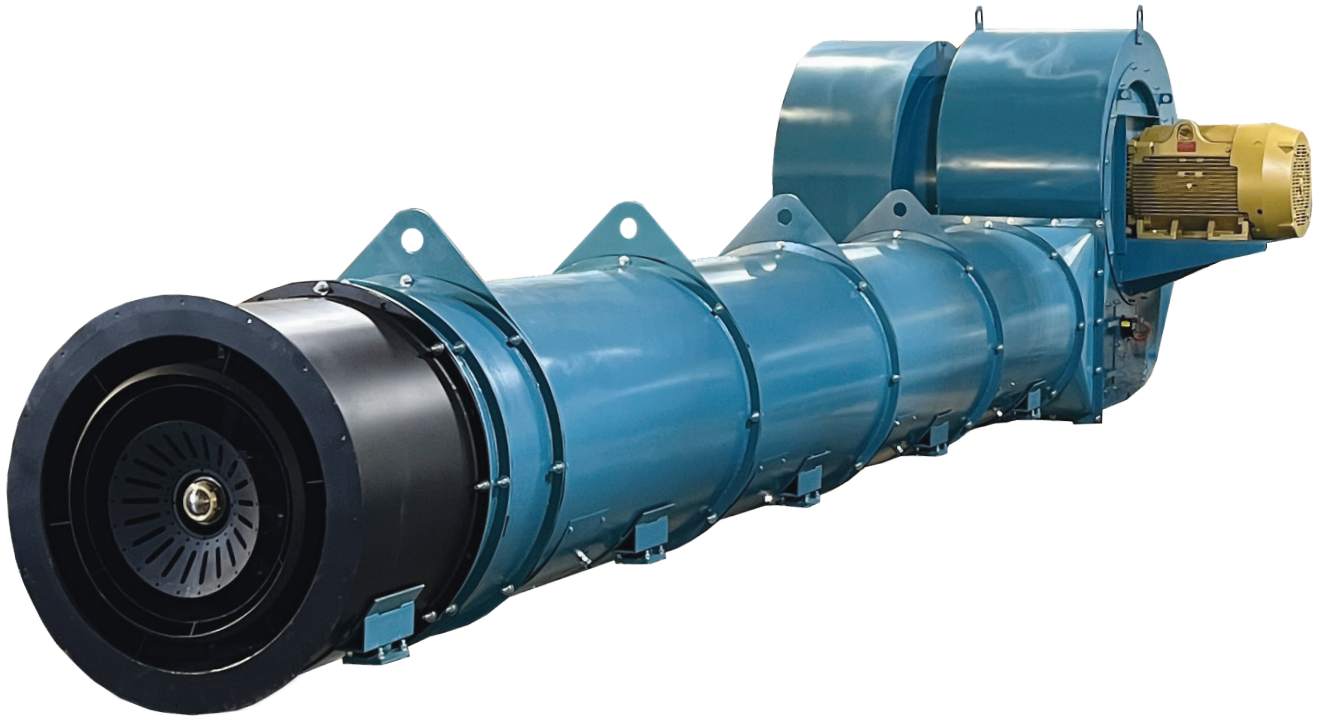


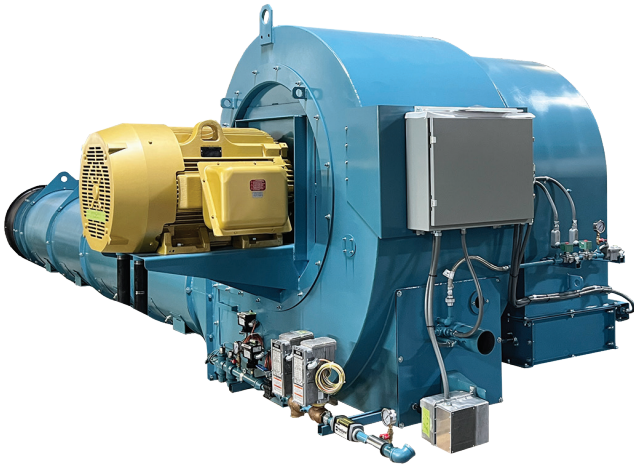
# HDRA-RF Series Burners

## Multi-Fuel Burners for the Asphalt Industry



Total Air Low NOx Burner with Automatic Flame Shaping  
For Firing Rates from 50,000,000 up to 200,000,000 Btu/Hr

## Benefits Of The HDRA-RF Multi-Fuel Asphalt Burner



The Webster Combustion model HDRA-RF is a register-style burner that allows users to shape the flame by automatically controlling the register vanes to optimally fit their dryer and combustion zone. This allows the Webster burner to operate with a shorter flame than products of other aggregate burner manufacturers. This flame-shaping capability means the flame will not impinge on the

material, and CO can be maintained at much lower levels than currently available. In addition, NO<sub>x</sub> levels for the HDRA-RF are significantly lower than typically seen in asphalt applications.

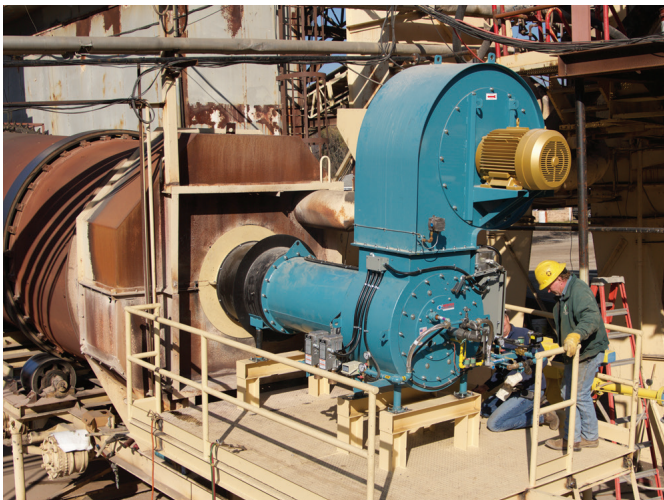
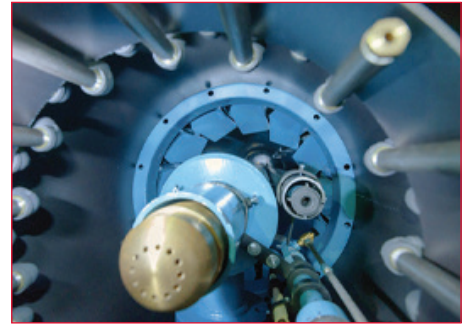
The Webster Combustion HDRA-RF burner readily adapts to mount on both Parallel Flow and Counter Flow Dryers, and the burner housing and fan can be installed in multiple configurations depending on space constraints and elevator location.

The Webster Combustion HDRA-RF Series Asphalt Burner is capable of burning a wide range of fuels, either separately or simultaneously, including Natural, LP, and low BTU gas, all commercially available grades of fuel oil, and qualified waste oils. A dual manifold combustion head is available for applications firing multiple gas fuels.

**A wide choice of burner arrangements is available with the HDRA-RF package burner system. Webster's engineering team will assist you in designing the best arrangement for your application. Flexibility in design and assembly means that the HDRA-RF can be applied to a wide variety of heater applications.**

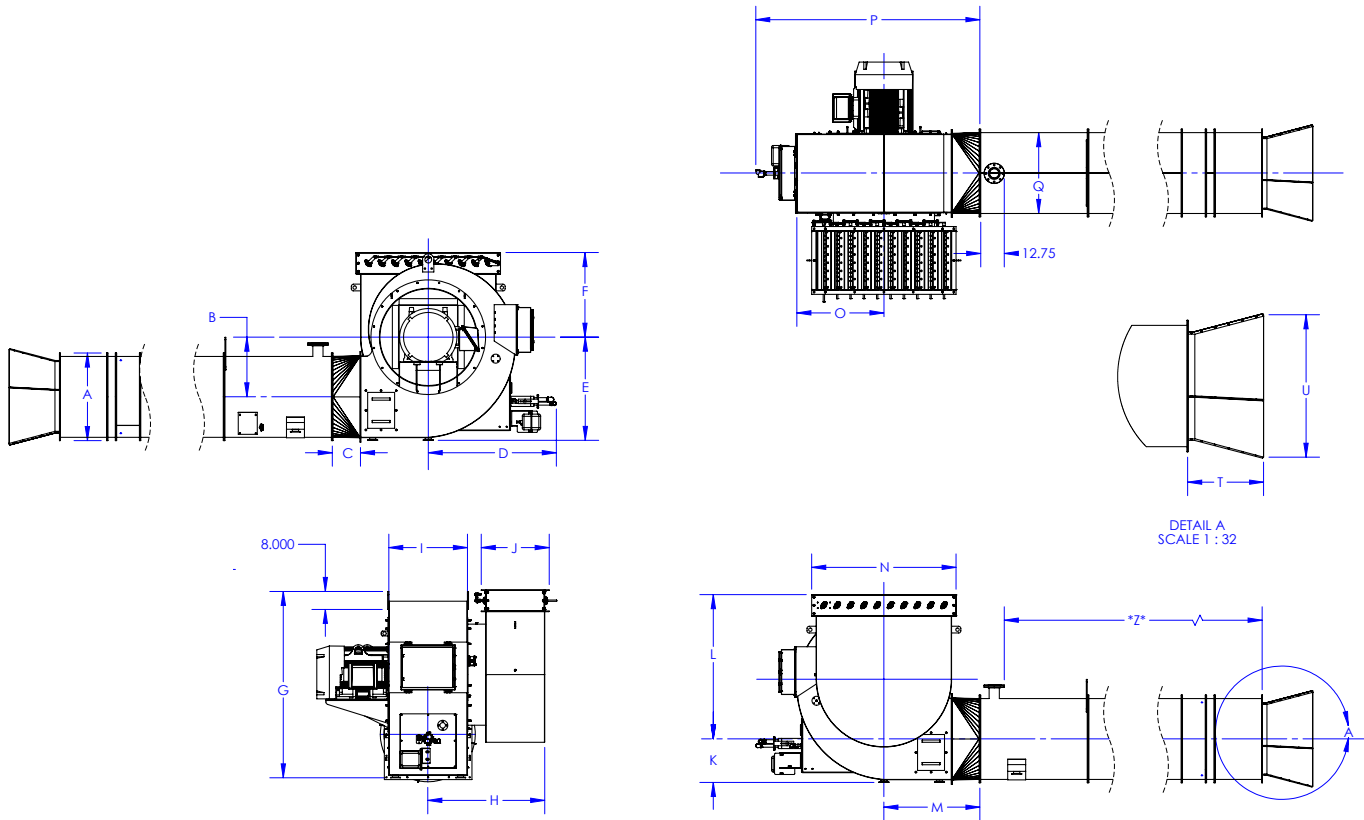
## HDRA-RF Features

- Excellent flame stability for reliable performance
- Low excess air for extremely efficient operation
- Fully modulating register for automatic flame shaping
- Low NOx emissions
- High turndown rates
  - Up to 10 to 1 on Gas firing
  - Up to 8 to 1 on oil firing
- High combustion efficiency
- Fire multiple fuels
  - Natural, LP, or Digester gas
  - No. 2 through No. 6 Oils
- Configurable blower housing to match application requirements
- Long Nose options available
- Proven ignition system with an extremely stable pilot
- High efficiency combustion air fans to optimize electrical needs
- Access doors for easy service of firing head and fan for maintenance
- Optional VFD and inlet air damper for precise air control
- Air atomized oil systems may include an optional air compressor supplied with the burner package



**Webster Combustion has the best lead times in the industry. To configure the perfect HDRA-RF burner for your application and obtain current scheduling information, contact us or visit [www.webstercombustion.com](http://www.webstercombustion.com) to locate a sales office in your area.**

# HDRA-RF Series Typical Dimensions and Ratings



BURNER MODEL	DIMENSIONS – INCHES																			
	A	B	C	D	E	F	G	H	I	J	K	L	M	N	O	P	Q	T	U	*Z*
HDRA-RF*-50	27	24	7	49.5	37	32	68	32	22	17	14	56	26.3	43	32	84	24	18.6	27.6	48.5
HDRA-RF*-75	30.2	26.5	10.2	53.5	41.3	39.7	74.4	42	32	22	14.8	60	36.1	45.4	35	92.2	27.2	21	32.1	48.5
HDRA-RF*-100	35.1	25.6	10.2	56	42.8	39.7	77	48	32	28	17.2	59	39.2	45.4	36	93.7	32.4	24.9	39	48.5
HDRA-RF*-125	35.1	26.6	10.2	55.8	43.8	35.25	80.25	51.6	35.3	28	17.2	61.8	41.4	49.5	37.3	97.2	37.3	24.9	39	48.5
HDRA-RF*-150	39.1	26.6	10.2	57.1	45.8	35.25	82.9	51.6	35.3	30	20.9	61.8	42.2	49.5	38.6	99.3	36.4	24.9	43.1	48.5
HDRA-RF*-175	44.1	27.7	10.2	60.3	47.8	35.9	86.9	55.5	39	32	21.8	65.2	45.4	54	41.8	97.3	41.4	24.9	48.1	48.5
HDRA-RF*-200	44.1	28.6	10.2	60.3	42.8	37.4	86.6	55.5	39	32	21.8	66.7	45.4	54	41.8	105.7	41.4	24.9	48.1	48.5

NOTE: \*Z\* is the minimum nose required.  
Custom insertion depths available. All dimensions are reference only.



**The Better Burner.**

619 Industrial Road, Winfield, KS 67156 / Phone: 620-221-7464 / Fax: 620-221-9447  
[www.webstercombustion.com](http://www.webstercombustion.com) / [sales@webstercombustion.com](mailto:sales@webstercombustion.com)